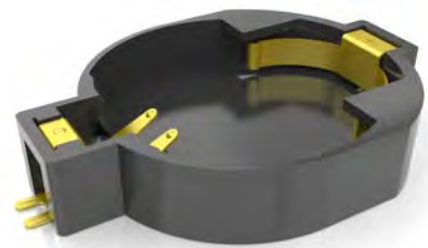
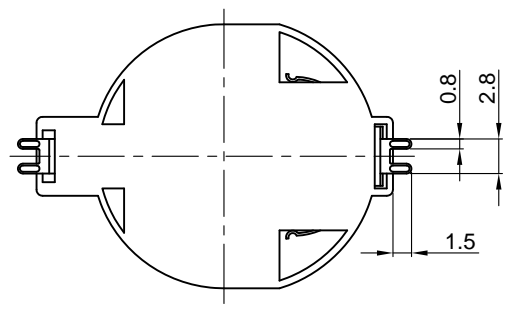
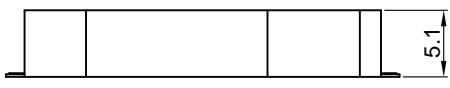
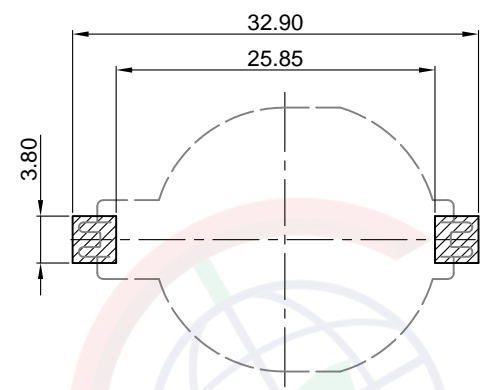
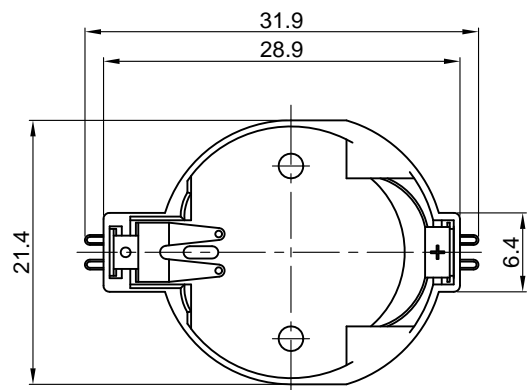


Dept	
Qty	
DC	1
ED	1
IE	1
ISO	1
PD	1
R&D	1
SD	1
QA	1
QC	1
QE	1

The information provided herein is from CONNELY Electronic Co., Ltd. and is confidential. Any disclosure to a party other than the recipient is prohibited. The intellectual properties and its rights contained herein, including but not limited to, trademarks, patents, copyrights, trade secrets, and technical know-how, are owned exclusively by CONNELY or its affiliates. Unauthorized use or reproduction of any part of this document is strictly prohibited. CONNELY reserves the right to exercise such rights to exercise such rights does not constitute a waiver of such rights. CONNELY may enforce its intellectual property rights at its own discretion, failures or delays to exercise such rights does not constitute a waiver of such rights.



(Series Image-Reference Only)

Recommend PCB Layout  
Tolerance:±0.05

REV.	DESCRIPTION	DRAWN	CHECKED	APPROVED
A	NEW RELEASE	YCH 08/07/12'		LJC 08/07/12'
C	DRAWING UPDATE	JLZ 03/31/21'		

NOTE:

- Materials:
  - 1.1 Base: Thermoplastic,UL94 V-0,Color of black.  
Temp.Range: -40°C to +105°C.
  - 1.2 Positive & Negative Contacts: Copper Alloy.
- Specification:
  - 2.1 Dielectric Withstanding Voltage: AC 500V AC.
  - 2.2 Insulation Resistance: 1000MΩ min.
  - 2.3 Contact Resistance: 100mΩ Max.
- Part Number Code:
 

DS1092-13 - X X X

- Housing material:  
S: PPS
- Contact plating:  
8: Gold Flash
- Housing color:  
N: Brown

GENERAL TOLERANCE		ANGLE TOLERANCE		PROJECTION		TITLE	2032 Lithium Coin Cell Battery Holders Horizontal insert SMT type	
X.	±0.60	X.	±5°	UNITS	mm	SERIES	DS1092-13 SERIES	
.X	±0.38	.X	±3°	SHEET SIZE	A4			
.XX	±0.25	.XX	±2°					
DRAWING TYPE		CUSTOMER			<b>晨翔电子有限公司</b> CONNELY ELECTRONIC CO. LTD			
SCALE	1:1	SHEET	1 OF 1					
DRAWING NO.	C-DS1092-13-XXX-C							