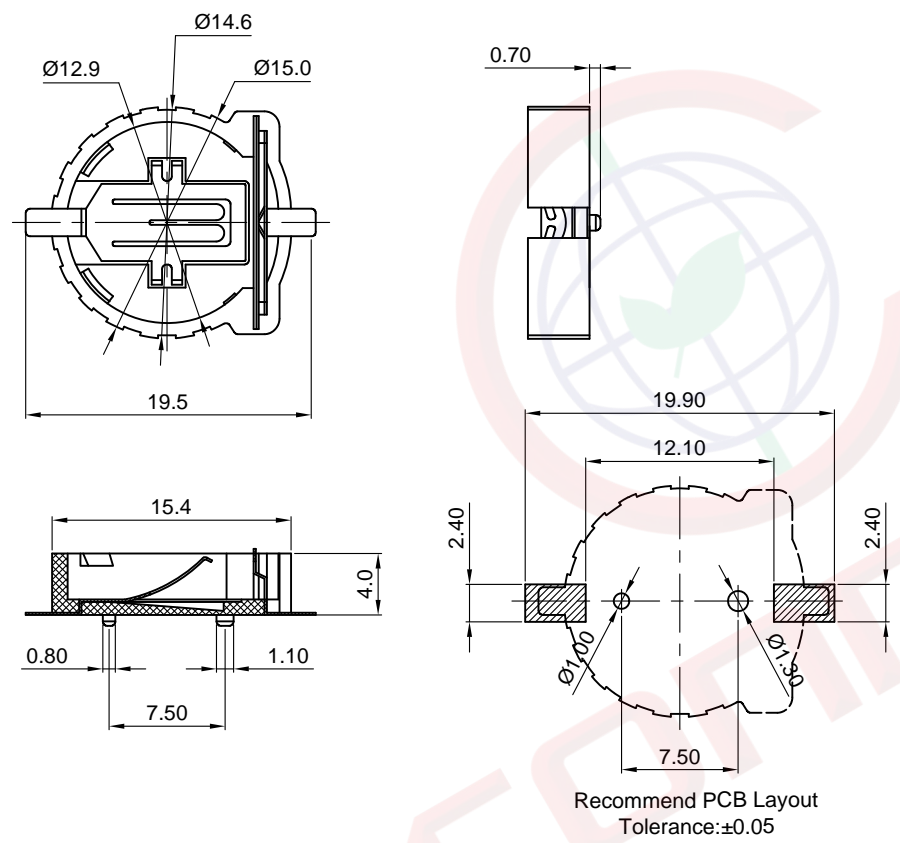


Dept	Qty
DC	1
ED	1
IE	1
ISO	1
PD	1
R&D	1
SD	1
QA	1
QC	1
QE	1

The information provided herein is from CONNPLY Electronic Co., Ltd. and is confidential. Any disclosure to a party other than the recipient is prohibited. The intellectual properties and its rights contained herein, including but not limited to, trademarks, patents, copyrights, trade secrets, and technical know-how, are owned exclusively by CONNPLY or its affiliates. Unauthorized use or reproduction of any part of this drawing without the prior written consent of CONNPLY may constitute a violation of its intellectual property rights. CONNPLY may enforce its intellectual property rights at its own discretion, failures or delays to exercise such rights does not constitute a waiver of such rights.

REV.	DESCRIPTION	DRAWN	CHECKED	APPROVED
A	NEW RELEASE	YCH 08/07/12'		LJC 08/07/12'
C	DRAWING UPDATE	JLZ 03/31/21'		



(Series Image-Reference Only)

NOTE:

- Materials:
  - 1.1 Base: Thermoplastic, UL94 V-0, Color of black. Temp. Range: -40°C to +105°C.
  - 1.2 Positive & Negative Contacts: Copper Alloy.
- Specification:
  - 2.1 Dielectric Withstanding Voltage: AC 500V AC.
  - 2.2 Insulation Resistance: 1000MΩ min.
  - 2.3 Contact Resistance: 100mΩ Max.
- Part Number Code:
 

DS1092-12 - X X X - X

Packing type:  
R: Tape on reel  
N/A Code: Tray

Housing material:  
S: PPS

Contact plating:  
8: Gold Flash

Housing color:  
N: Brown

GENERAL TOLERANCE		ANGLE TOLERANCE		PROJECTION		TITLE	1220 Lithium Coin Cell Battery Holders Horizontal insert SMT type			
X.	±0.60	X.	±5°	UNITS	mm					
.X	±0.38	.X	±3°	SHEET SIZE	A4	SERIES	DS1092-12 SERIES			
.XX	±0.25	.XX	±2°	<b>晨翔电子有限公司</b> <b>CONNPLY CONNPLY ELECTRONIC CO. LTD</b>						
DRAWING TYPE		CUSTOMER								
SCALE	1:1	SHEET	1 OF 1							
DRAWING NO.		C-DS1092-12-XXX-X-C								