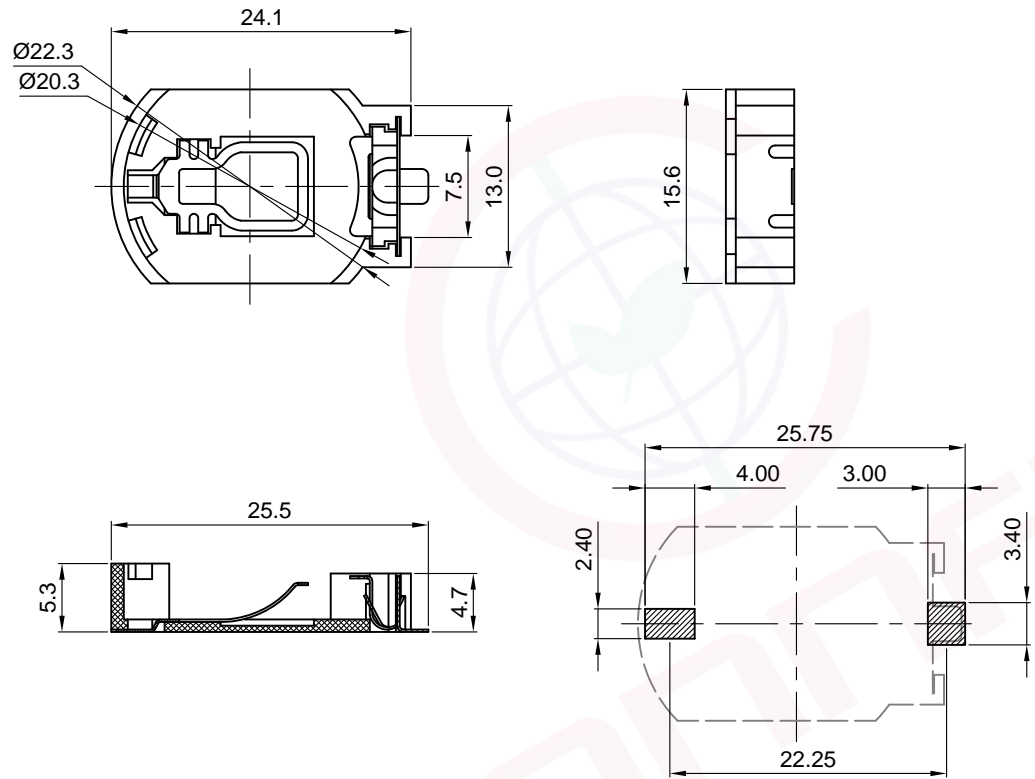
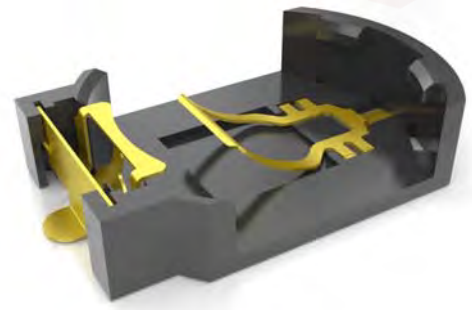


The information provided herein is from CONNELY Electronic Co., Ltd. and is confidential. Any disclosure to a party other than the recipient is prohibited. The intellectual properties and its rights contained herein, including but not limited to, trademarks, patents, copyrights, trade secrets, and technical know-how, are owned exclusively by CONNELY or its affiliates. Unauthorized use or reproduction of any part of this drawing without the prior written consent of CONNELY may constitute a violation of such rights. CONNELY may enforce its intellectual property rights at its own discretion, failures or delays to exercise such rights does not constitute a waiver of such rights.

REV.	DESCRIPTION	DRAWN	CHECKED	APPROVED
A	NEW RELEASE	YCH 08/07/12'		LJC 08/07/12'
B	DRAWING ARRANGEMENT	JLZ 10/30/15'	HZW 10/30/15'	LJC 10/30/15'
C	DRAWING UPDATE	JLZ 06/10/17'	HZW 06/10/17'	LJC 06/10/17'
D	DRAWING UPDATE	JLZ 10/10/18'		



Recommend PCB Layout
Tolerance:±0.05



(Series Image-Reference Only)

NOTE:

- Materials:
 - 1.1 Base: Thermoplastic,UL94 V-0,Color of black.
Temp.Range: -40°C to +105°C.
 - 1.2 Positive & Negative Contacts: Copper Alloy.
- Specification:
 - 2.1 Dielectric Withstanding Voltage: AC 500V AC.
 - 2.2 Insulation Resistance: 1000MΩ min.
 - 2.3 Contact Resistance: 100mΩ Max.
 - 2.4 Voltage Rating:3V.
- Part Number Code:
DS1092-11 - X X X
 - Housing material:
S: PPS
 - Contact plating:
8: Gold Flash
 - Housing color:
N: Brown

GENERAL TOLERANCE		ANGLE TOLERANCE		PROJECTION		TITLE	2032 Lithium Coin Cell Battery Holders Horizontal insert SMT type	
X.	±0.60	X.	±5°	UNITS	mm	SHEET SIZE	A4	
.X	±0.38	.X	±3°			SERIES	DS1092-11 SERIES	
.XX	±0.25	.XX	±2°					
DRAWING TYPE		CUSTOMER		晨翔电子有限公司 CONNELY ELECTRONIC CO., LTD				
SCALE		1:1						
DRAWING NO.		C-DS1092-11-XXX-D						