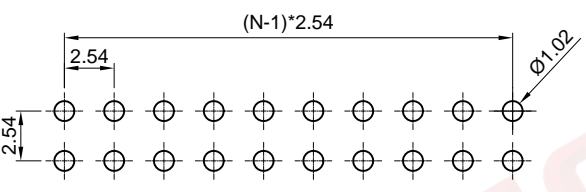
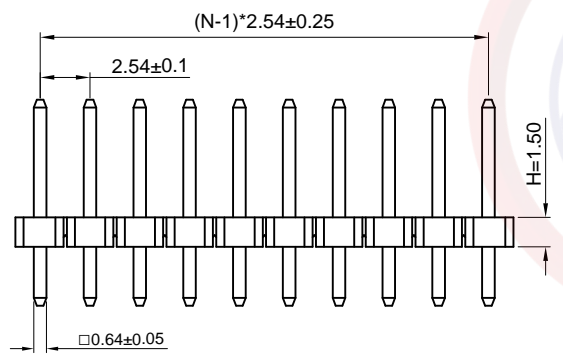
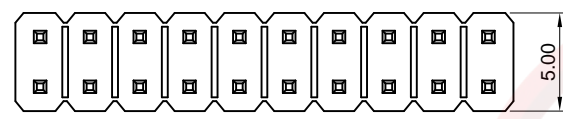
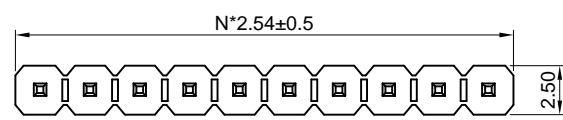


The information provided herein is from CONNELY Electronic Co., Ltd. and is confidential. Any disclosure to a party other than the recipient is prohibited. The intellectual properties and its rights contained herein, including but not limited to, trademarks, patents, copyrights, trade secrets, and technical know-how, are owned exclusively by CONNELY or its affiliates. Unauthorized use or reproduction of any part of this document without the prior written consent of CONNELY may constitute a violation of such rights. CONNELY may enforce its intellectual property rights at its own discretion, failures or delays to exercise such rights does not constitute a waiver of such rights.

A/B/C/D: Customer length available
 N=No. of contacts/2(Double Row)
 N=No. of contacts(Single Row)



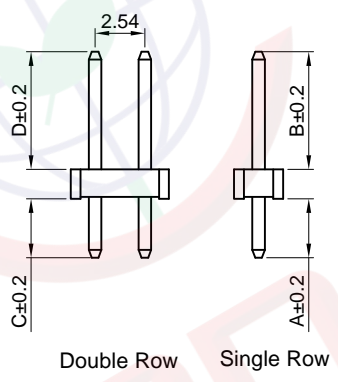
Recommend PCB layout



(Series Image-Reference Only)

Table A:

Type	Dimension	
	A/C	B/D
1	3.00	6.00



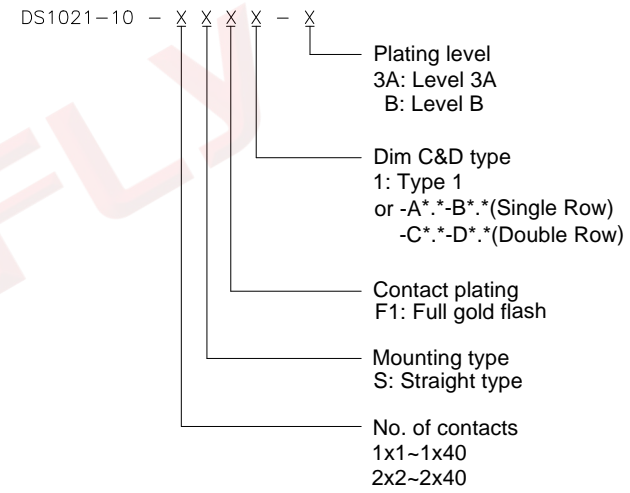
GENERAL TOLERANCE		ANGLE TOLERANCE	
X.	±0.60	X.	±5°
.X	±0.38	.X	±3°
.XX	±0.25	.XX	±2°

DRAWING TYPE	CUSTOMER		
SCALE	1:1	SHEET	1 OF 1
DRAWING NO.	C-DS1021-10-XXXX-X-B		

REV.	DESCRIPTION	DRAWN	CHECKED	APPROVED
A	NEW RELEASE	JLZ 12/25/14'		LJC 12/25/14'
B	DRAWING UPDATE	JLZ 12/15/18'		

NOTES:

- Specifications:
- Contact resistance: 20mΩ Max.
 - Insulation resistance: 1000MΩ Min.
 - Dielectric withstanding voltage: 600V AC(Rms) for 1 minute.
 - Current rating:3A.
 - Voltage rating:250V AC Rms.
 - Temperature: -40°C~+105°C.
- Materials:
- Contact material: Copper alloy.
 - Contact plating: Gold plating over nickel.
 - Insulator material: Thermoplastic,Black,UL94-V0.
- Product number code:



PROJECTION		TITLE
UNITS	mm	2.54mm PIN HEADER V/T TYPE PROFILE HEIGHT H=1.5mm
SHEET SIZE	A4	SERIES DS1021-10 SERIES

晨翔电子有限公司
 CONNELY ELECTRONIC CO. LTD