

The information provided herein is from CONNELY Electronic Co., Ltd. and is confidential. Any disclosure to a party other than the recipient is prohibited. The intellectual properties and its rights contained herein, including but not limited to, trademarks, patents, copyrights, trade secrets, and technical know-how, are owned exclusively by CONNELY or its affiliates. Unauthorized use of this information in any format or manner. CONNELY may enforce its intellectual property rights at its own discretion; failures or delays to exercise such rights does not constitute a waiver of such rights.

1 2 3 4 5 6 7 8

REV.	DESCRIPTION	DRAWN	CHECKED	APPROVED
A	NEW RELEASE	YCH 06/12/07'		LJC 06/12/07'
B	DRAWING UPDATE	JLZ 08/27/18'		

A Dept Qty  
 DC 1  
 ED 1  
 IE 1  
 ISO 1  
 PD 1  
 R&D 1  
 SD 1  
 QA 1  
 QC 1  
 QF 1  
 B  
 C  
 D  
 F  
 F  
 G  
 H

N=NUMBER OF CONTACTS

1. PRODUCT NUMBER CODE:

DS1015-03 -XX B X A X - X - X

CABLE STYLE

A: TYPE A

LENGTH DIM L

0150: L=150mm

WIRE DIAMETER

1:∅0.100 FOLWER MARK

2:∅0.127 RED MARK

3:∅0.100 RED MARK

4:∅0.127 FOLWER MARK

FLAT CABLE COLOR

A: GRAY

CONTACT PLATING

2: GOLD+NICKEL

6: FULL TIN

8: FULL GOLD FLASH

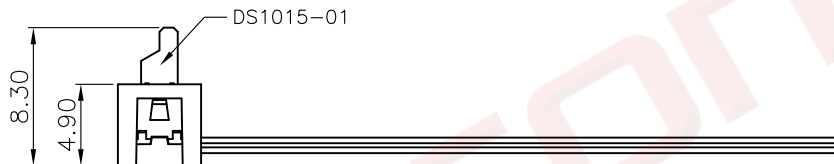
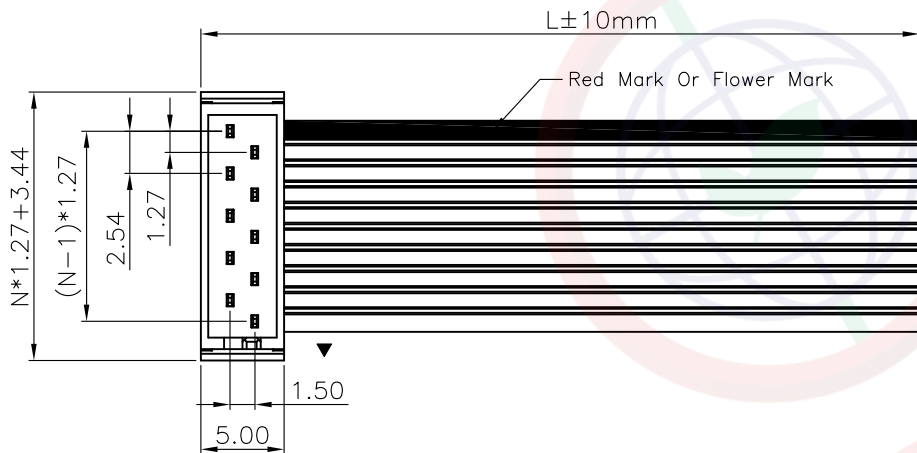
HOUSING COLOR

R:RED

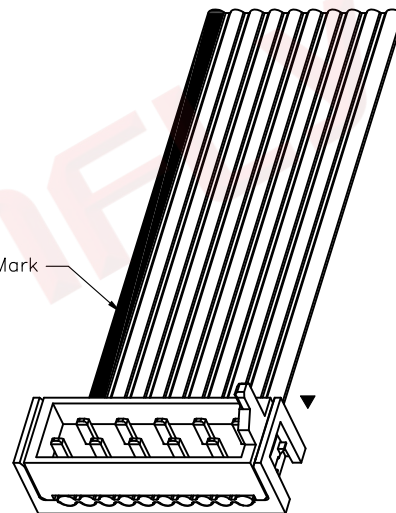
NO.OF CONTACTS

04 06 08 10 12

14 16 18 20 24



Red Mark Or Flower Mark



GENERAL TOLERANCE		ANGLE TOLERANCE	
X.	±0.60	X.	±5°
.X	±0.38	.X	±3°
.XX	±0.25	.XX	±2°

DRAWING TYPE	CUSTOMER		
SCALE	1:1	SHEET	1 OF 1
DRAWING NO.	C-DS1015-03-XXXXX-X-A-B		

PROJECTION		TITLE	DS1015-03 (1*DS1015-01)	
UNITS	mm	SERIES	DS1015-03 SERIES	

**晨翔电子有限公司**  
**CONNFLY CONNELY ELECTRONIC CO. LTD**

1 2 3 4 5 6 7 8



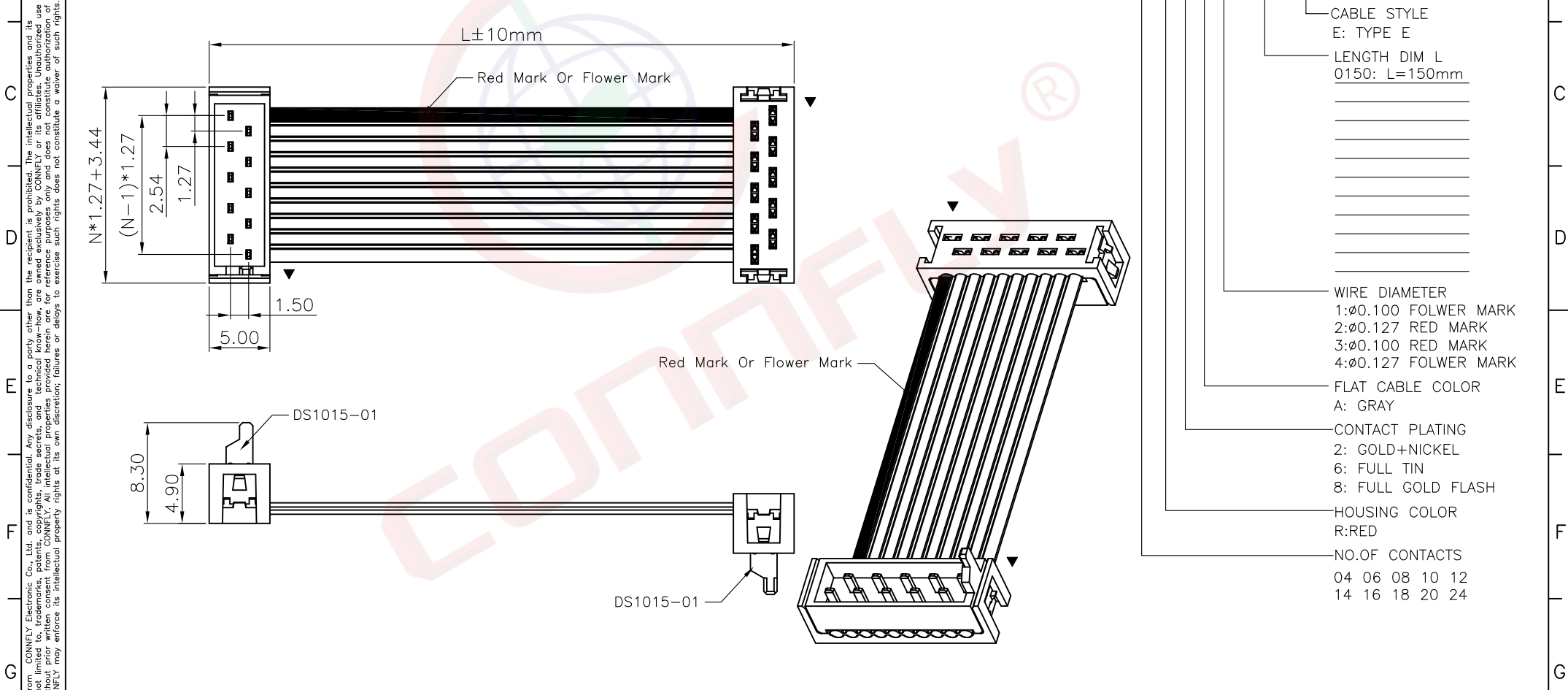




Dept	REV.	DESCRIPTION	DRAWN	CHECKED	APPROVED
Qty	A	NEW RELEASE	YCH 06/12/07'		LJC 06/12/07'
DC	B	DRAWING UPDATE	JLZ 08/27/18'		
ED					
IE					
ISO					
PD					
R&D					
SD					
QA					
QC					
QF					

N=NUMBER OF CONTACTS

1. PRODUCT NUMBER CODE:  
 DS1015-03 -XX B X A X - X - X



GENERAL TOLERANCE	X.	±0.60	ANGLE TOLERANCE	X.	±5°	PROJECTION		TITLE	DS1015-03 (2*DS1015-01)	
	.X	±0.38		.X	±3°		UNITS		mm	SERIES
	.XX	±0.25		.XX	±2°	SHEET SIZE	A4			
DRAWING TYPE	CUSTOMER					<b>晨翔电子有限公司</b> <b>CONNFLY CONNFLY ELECTRONIC CO. LTD</b>				
SCALE	1:1	SHEET	1 OF 1							
DRAWING NO.	C-DS1015-03-XXXXX-X-E-B									

The information provided herein is from CONNELY Electronic Co., Ltd. and is confidential. Any disclosure to a party other than the intended recipient is prohibited. The intellectual properties and its rights contained herein, including but not limited to, trademarks, patents, copyrights, trade secrets, and technical know-how, are owned exclusively by CONNELY or its affiliates. Unauthorized use of this information in any format or manner, CONNELY may enforce its intellectual property rights at its own discretion; failures or delays to exercise such rights does not constitute a waiver of such rights.

The information provided herein is from CONNELY Electronic Co., Ltd. and is confidential. Any disclosure to a party other than the recipient is prohibited. The intellectual properties and its rights contained herein, including but not limited to, trademarks, patents, copyrights, trade secrets, and technical know-how, are owned exclusively by CONNELY or its affiliates. Unauthorized use of this information in any format or manner. CONNELY may enforce its intellectual property rights at its own discretion; failures or delays to exercise such rights does not constitute a waiver of such rights.

1 2 3 4 5 6 7 8

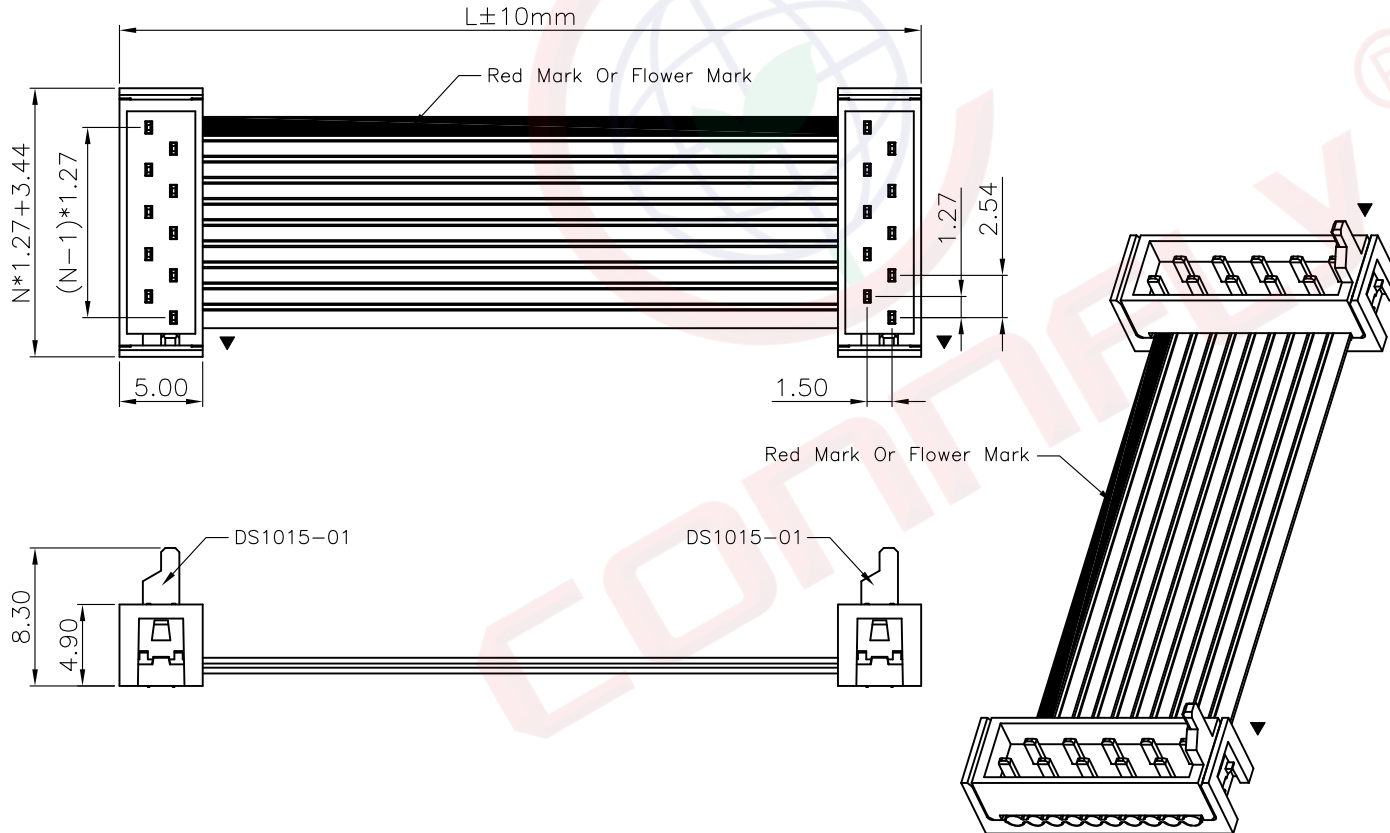
REV.	DESCRIPTION	DRAWN	CHECKED	APPROVED
A	NEW RELEASE	YCH 06/12/07'		LJC 06/12/07'
B	DRAWING UPDATE	JLZ 08/27/18'		

A Dept Qty  
 DC 1  
 ED 1  
 IE 1  
 ISO 1  
 PD 1  
 R&D 1  
 SD 1  
 QA 1  
 QC 1  
 QF 1  
 B  
 C  
 D  
 E  
 F  
 G  
 H

N=NUMBER OF CONTACTS

1. PRODUCT NUMBER CODE:

DS1015-03 -XX B X A X - X - X



- CABLE STYLE  
F: TYPE F
- LENGTH DIM L  
0150: L=150mm  
0130: L=130mm  
0120: L=120mm  
0070: L=70mm  
0060: L=60mm  
1000: L=1000mm
- WIRE DIAMETER  
1:∅0.100 FOLWER MARK  
2:∅0.127 RED MARK  
3:∅0.100 RED MARK  
4:∅0.127 FOLWER MARK
- FLAT CABLE COLOR  
A: GRAY
- CONTACT PLATING  
2: GOLD+NICKEL  
6: FULL TIN  
8: FULL GOLD FLASH
- HOUSING COLOR  
R:RED
- NO.OF CONTACTS  
04 06 08 10 12  
14 16 18 20 24

GENERAL TOLERANCE		ANGLE TOLERANCE	
.X	±0.60	.X	±5°
.X	±0.38	.X	±3°
.XX	±0.25	.XX	±2°
DRAWING TYPE		CUSTOMER	
SCALE	1:1	SHEET	1 OF 1
DRAWING NO.	C-DS1015-03-XXXXX-X-F-B		

PROJECTION	TITLE
	DS1015-03 (2*DS1015-01)
UNITS	mm
SHEET SIZE	A4
SERIES	DS1015-03 SERIES

**晨翔电子有限公司**  
**CONNELY CONNELY ELECTRONIC CO. LTD**

1 2 3 4 5 6 7 8















The information provided herein is from CONNELY Electronic Co., Ltd. and is confidential. Any disclosure to a party other than the recipient is prohibited. The intellectual properties and its rights contained herein, including but not limited to, trademarks, patents, copyrights, trade secrets, and technical know-how, are owned exclusively by CONNELY or its affiliates. Unauthorized use of this information in any format or manner. CONNELY may enforce its intellectual property rights at its own discretion; failures or delays to exercise such rights does not constitute a waiver of such rights.

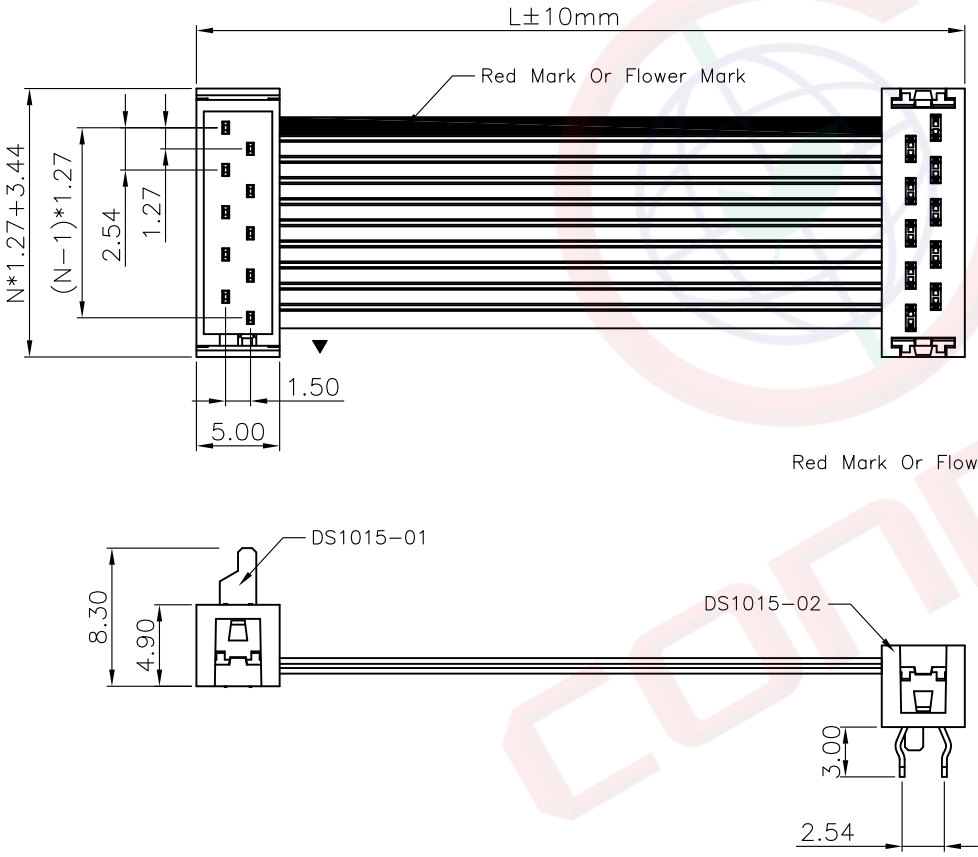
1 2 3 4 5 6 7 8

REV.	DESCRIPTION	DRAWN	CHECKED	APPROVED
A	NEW RELEASE	YCH 06/12/07'		LJC 06/12/07'
B	DRAWING UPDATE	JLZ 08/27/18'		

A Dept Qty  
 DC 1  
 ED 1  
 IE 1  
 ISO 1  
 PD 1  
 R&D 1  
 SD 1  
 QA 1  
 QC 1  
 QF 1  
 B  
 C  
 D  
 E  
 F  
 G  
 H

N=NUMBER OF CONTACTS

1. PRODUCT NUMBER CODE:  
 DS1015-03 -XX B X A X - X - X



- CABLE STYLE  
N: TYPE N
- LENGTH DIM L  
0150: L=150mm
- \_\_\_\_\_
- \_\_\_\_\_
- \_\_\_\_\_
- \_\_\_\_\_
- \_\_\_\_\_
- \_\_\_\_\_
- \_\_\_\_\_
- WIRE DIAMETER  
1:∅0.100 FOLWER MARK  
2:∅0.127 RED MARK  
3:∅0.100 RED MARK  
4:∅0.127 FOLWER MARK
- FLAT CABLE COLOR  
A: GRAY
- CONTACT PLATING  
2: GOLD+NICKEL  
6: FULL TIN  
8: FULL GOLD FLASH
- HOUSING COLOR  
R:RED
- NO.OF CONTACTS  
04 06 08 10 12  
14 16 18 20 24

GENERAL TOLERANCE		ANGLE TOLERANCE		PROJECTION		TITLE	DS1015-03 (1*DS1015-01&1*DS1015-02)	
X.	±0.60	X.	±5°	UNITS	mm	SHEET SIZE	A4	
.X	±0.38	.X	±3°			SERIES	DS1015-03 SERIES	
.XX	±0.25	.XX	±2°					
DRAWING TYPE		CUSTOMER		<b>晨翔电子有限公司</b> <b>CONNELY CONNELY ELECTRONIC CO. LTD</b>				
SCALE		1:1	SHEET			1 OF 1		
DRAWING NO.		C-DS1015-03-XXXX-X-N-B						

1 2 3 4 5 6 7 8









The information provided herein is from CONNELY Electronic Co., Ltd. and is confidential. Any disclosure to a party other than the recipient is prohibited. The intellectual properties and its rights contained herein, including but not limited to, trademarks, patents, copyrights, trade secrets, and technical know-how, are owned exclusively by CONNELY or its affiliates. Unauthorized use of this information in any format or manner. CONNELY may enforce its intellectual property rights at its own discretion; failures or delays to exercise such rights does not constitute a waiver of such rights.

1                      2                      3                      4                      5                      6                      7                      8

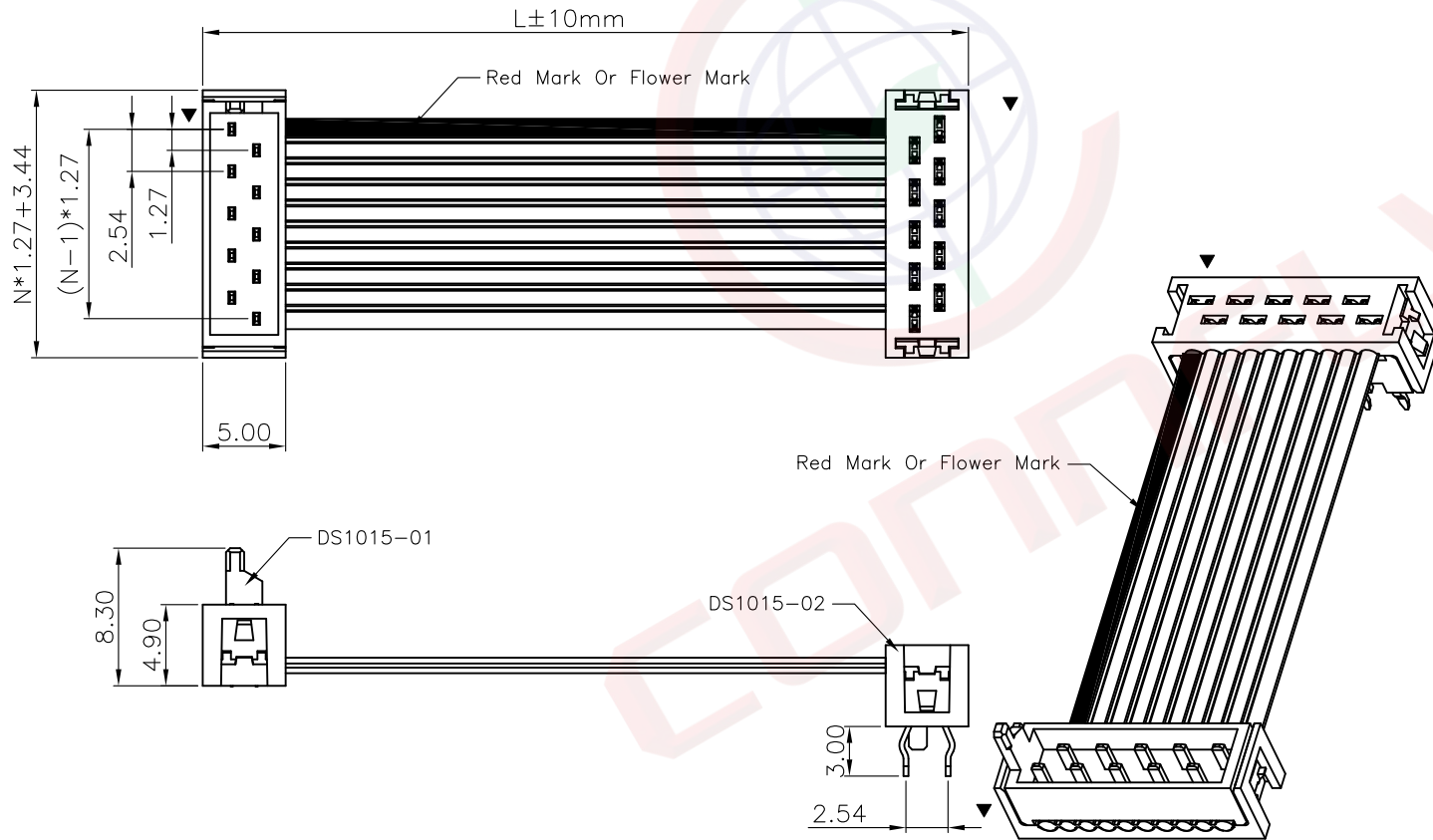
REV.	DESCRIPTION	DRAWN	CHECKED	APPROVED
A	NEW RELEASE	YCH 06/12/07'		LJC 06/12/07'
B	DRAWING UPDATE	JLZ 08/27/18'		

A Dept Qty  
 DC 1  
 ED 1  
 IE 1  
 ISO 1  
 PD 1  
 R&D 1  
 SD 1  
 QA 1  
 QC 1  
 QF 1  
 B  
 C  
 D  
 E  
 F  
 G  
 H

N=NUMBER OF CONTACTS

1. PRODUCT NUMBER CODE:

DS1015-03 -XX B X A X - X - X

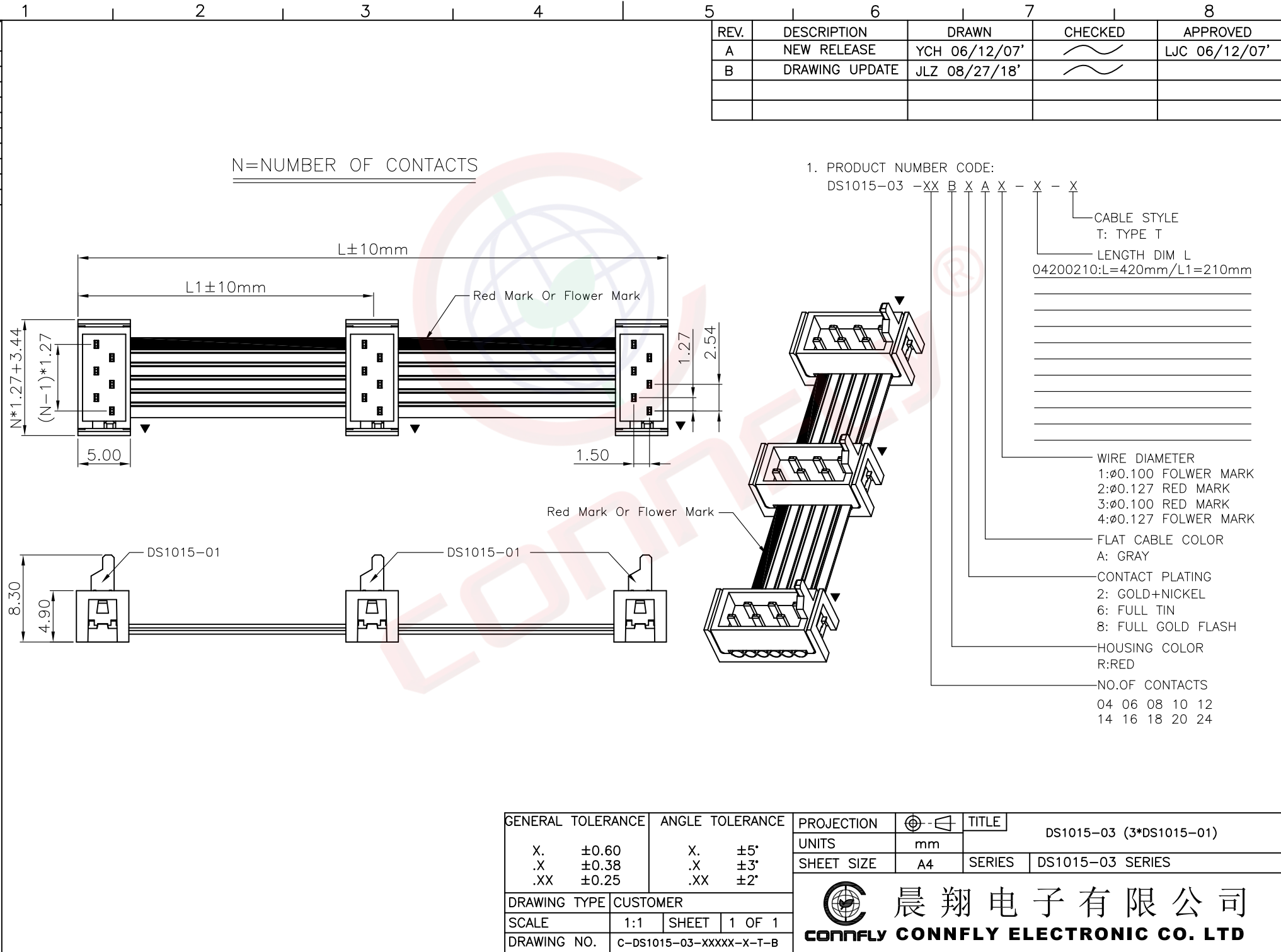


- CABLE STYLE  
S: TYPE S
- LENGTH DIM L  
0150: L=150mm
- \_\_\_\_\_
- \_\_\_\_\_
- \_\_\_\_\_
- \_\_\_\_\_
- \_\_\_\_\_
- \_\_\_\_\_
- \_\_\_\_\_
- WIRE DIAMETER  
1:∅0.100 FOLWER MARK  
2:∅0.127 RED MARK  
3:∅0.100 RED MARK  
4:∅0.127 FOLWER MARK
- FLAT CABLE COLOR  
A: GRAY
- CONTACT PLATING  
2: GOLD+NICKEL  
6: FULL TIN  
8: FULL GOLD FLASH
- HOUSING COLOR  
R:RED
- NO.OF CONTACTS  
04 06 08 10 12  
14 16 18 20 24

GENERAL TOLERANCE		ANGLE TOLERANCE		PROJECTION		TITLE	DS1015-03 (1*DS1015-01&1*DS1015-02)				
X.	±0.60	X.	±5°	UNITS	mm	SHEET SIZE	A4	SERIES	DS1015-03 SERIES		
.X	±0.38	.X	±3°								
.XX	±0.25	.XX	±2°								
DRAWING TYPE		CUSTOMER			晨翔电子有限公司 <b>CONNELY CONNELY ELECTRONIC CO. LTD</b>						
SCALE		1:1	SHEET							1 OF 1	
DRAWING NO.		C-DS1015-03-XXXX-X-S-B									

1                      2                      3                      4                      5                      6                      7                      8

The information provided herein is from CONNELY Electronic Co., Ltd. and is confidential. Any disclosure to a party other than the recipient is prohibited. The intellectual properties and its rights contained herein, including but not limited to, trademarks, patents, copyrights, trade secrets, and technical know-how, are owned exclusively by CONNELY or its affiliates. Unauthorized use of this information in any format or manner, CONNELY may enforce its intellectual property rights at its own discretion; failures or delays to exercise such rights does not constitute a waiver of such rights.



REV.	DESCRIPTION	DRAWN	CHECKED	APPROVED
A	NEW RELEASE	YCH 06/12/07'		LJC 06/12/07'
B	DRAWING UPDATE	JLZ 08/27/18'		

N=NUMBER OF CONTACTS

1. PRODUCT NUMBER CODE:

DS1015-03 -XX B X A X - X - X

- CABLE STYLE  
T: TYPE T
- LENGTH DIM L  
04200210:L=420mm/L1=210mm
- WIRE DIAMETER  
1:∅0.100 FOLWER MARK  
2:∅0.127 RED MARK  
3:∅0.100 RED MARK  
4:∅0.127 FOLWER MARK
- FLAT CABLE COLOR  
A: GRAY
- CONTACT PLATING  
2: GOLD+NICKEL  
6: FULL TIN  
8: FULL GOLD FLASH
- HOUSING COLOR  
R:RED
- NO.OF CONTACTS  
04 06 08 10 12  
14 16 18 20 24

GENERAL TOLERANCE		ANGLE TOLERANCE		PROJECTION		TITLE	DS1015-03 (3*DS1015-01)				
X.	±0.60	X.	±5°	UNITS	mm	SHEET	DS1015-03 SERIES				
.X	±0.38	.X	±3°	SHEET SIZE	A4						
.XX	±0.25	.XX	±2°								
DRAWING TYPE		CUSTOMER			晨翔电子有限公司 <b>CONNELY CONNELY ELECTRONIC CO. LTD</b>						
SCALE		1:1	SHEET							1 OF 1	
DRAWING NO.		C-DS1015-03-XXXX-X-T-B									





