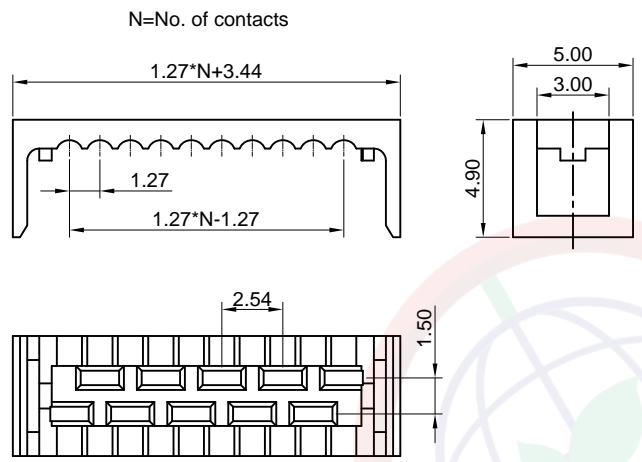
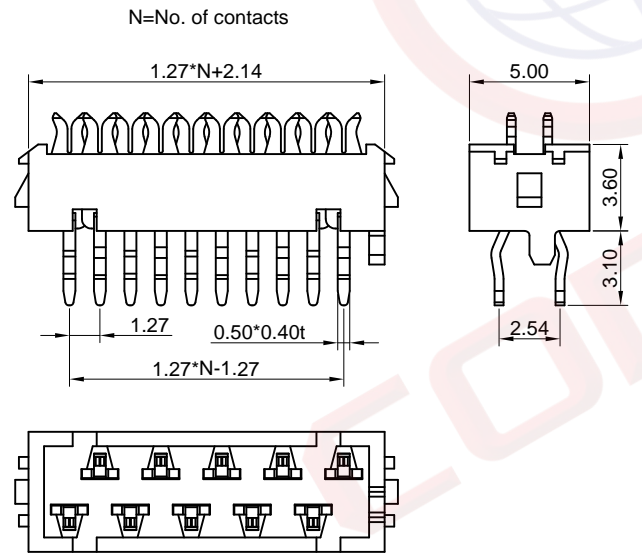


|      |   |
|------|---|
| Dept |   |
| Qty  |   |
| DC   | 1 |
| ED   | 1 |
| IE   | 1 |
| ISO  | 1 |
| PD   | 1 |
| R&D  | 1 |
| SD   | 1 |
| QA   | 1 |
| QC   | 1 |
| QE   | 1 |

Cover



Housing



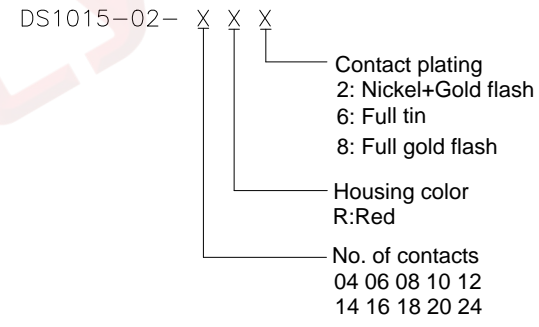
(Series Image-Reference Only)

| REV. | DESCRIPTION    | DRAWN         | CHECKED | APPROVED      |
|------|----------------|---------------|---------|---------------|
| A    | NEW RELEASE    | YCH 03/11/11' |         | LJC 03/11/11' |
| B    | DRAWING UPDATE | JLZ 08/27/18' |         |               |
|      |                |               |         |               |

NOTES:

1. Material
  - 1.1 Insulator: Thermoplastic(UL 94V-0).
  - 1.2 Contact: Copper alloy.
2. Specification
  - 2.1 Temperature range: -40°C~+105°C.
  - 2.2 Contact resistance: 30mΩ max.
  - 2.3 Insulation resistance: 1000MΩ min.
  - 2.4 Dielectric withstanding voltage: AC 500V per minute.

3. Product number code:



The information provided herein is from CONNELY Electronic Co., Ltd. and is confidential. Any disclosure to a party other than the recipient is prohibited. The intellectual properties and its rights contained herein, including but not limited to, trademarks, patents, copyrights, trade secrets, and technical know-how, are owned exclusively by CONNELY or its affiliates. Unauthorized use or reproduction of any part of this document is strictly prohibited. CONNELY reserves the right to make changes to this document without notice. CONNELY may enforce its intellectual property rights at its own discretion, failures or delays to exercise such rights does not constitute a waiver of such rights.

|                   |       |                   |        |   |    |                        |                  |
|-------------------|-------|-------------------|--------|---|----|------------------------|------------------|
| GENERAL TOLERANCE |       | ANGLE TOLERANCE   |        | PROJECTION                                    |    | TITLE                  | MICRO MATCH      |
| X.                | ±0.60 | X.                | ±5°    | UNITS   | mm | PADDEL BOARD CONNECTOR |                  |
| .X                | ±0.38 | .X                | ±3°    | SHEET SIZE                                    | A4 | SERIES                 | DS1015-02 SERIES |
| .XX               | ±0.25 | .XX               | ±2°    | <b>晨翔电子有限公司</b><br>CONNELY ELECTRONIC CO. LTD |    |                        |                  |
| DRAWING TYPE      |       | CUSTOMER          |        |   |    |                        |                  |
| SCALE             | 1:1   | SHEET             | 1 OF 1 |   |    |                        |                  |
| DRAWING NO.       |       | C-DS1015-02-XXX-B |        |   |    |                        |                  |