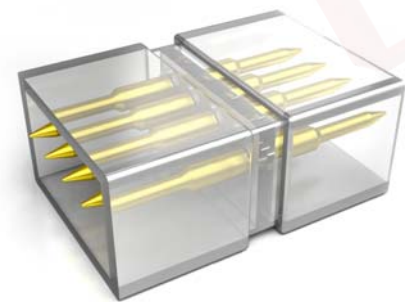
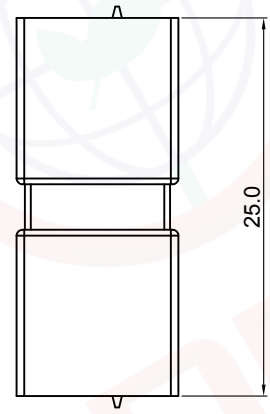
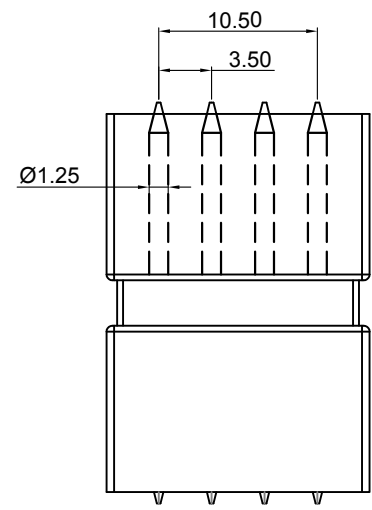
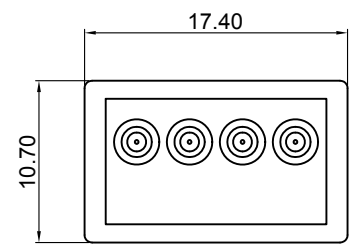


Dept	
Qty	
DC	1
ED	1
IE	1
ISO	1
PD	1
R&D	1
SD	1
QA	1
QC	1
QE	1

The information provided herein is from CONNELY Electronic Co., Ltd. and is confidential. Any disclosure to a party other than the recipient is prohibited. The intellectual properties and its rights contained herein, including but not limited to, trademarks, patents, copyrights, trade secrets, and technical know-how, are owned exclusively by CONNELY or its affiliates. Unauthorized use or modification is strictly prohibited. CONNELY may enforce its intellectual property rights at its own discretion, failures or delays to exercise such rights does not constitute a waiver of such rights.



(Series Image-Reference Only)

REV.	DESCRIPTION	DRAWN	CHECKED	APPROVED
A	NEW RELEASE	JLZ 08/16/18'		

NOTES:  
 1.Materials:  
 1.1 Housing material: Nylon  
 1.2 Contact: Copper Alloy  
 2.Specifications:  
 2.1 Current Rating:3A  
 2.2 Voltage Rating:250V AC/DC  
 2.3 Insulation Resistance: 1000MΩ minimum  
 2.4 Contact Resistance: 20mΩ Max(Connector Only)  
 2.5 Dielectric Withstanding Voltage: 1000V AC 1 minute  
 2.6 Temperature: -20°C~+80°C  
 3.Product Number Code:

DS1137-23 - X X X X 0 X 0

- Packing type  
P: Polybag
- Housing color  
T: Transparent
- Contact plating  
6: Full Tin  
8: Full Gold
- Mounting type  
V: V/T type
- Connector type  
M: Male
- No.of contacts  
4

GENERAL TOLERANCE		ANGLE TOLERANCE		PROJECTION		TITLE	
X.	±0.60	X.	±5°	UNITS	mm	3.5mm Connector FOR LED	
.X	±0.38	.X	±3°	SHEET SIZE	A4	SERIES	DS1137-23 SERIES
.XX	±0.25	.XX	±2°	晨翔电子有限公司 CONNELY CONNELY ELECTRONIC CO., LTD			
DRAWING TYPE		CUSTOMER					
SCALE		1:1	SHEET 1 OF 1				
DRAWING NO.		C-DS1137-23-XXXXXXX-A					