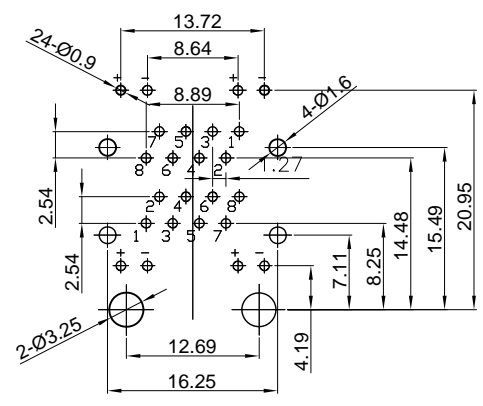
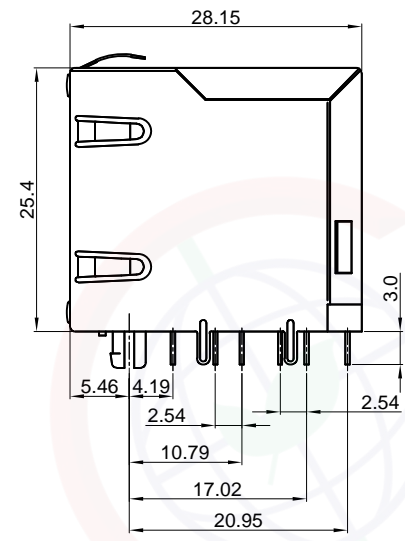
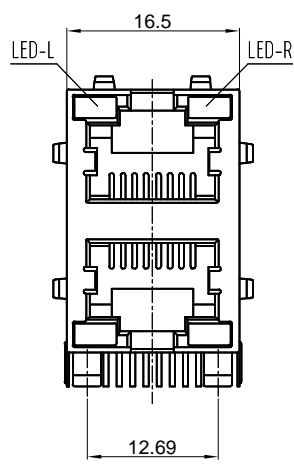


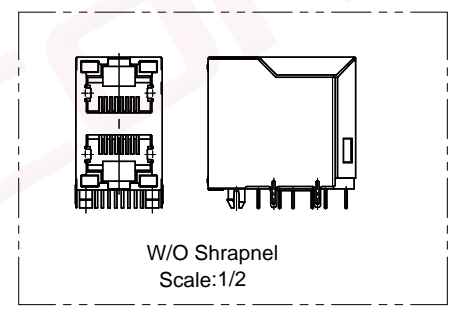
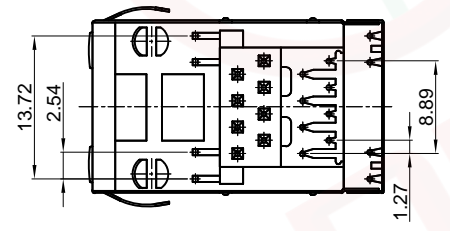
Dept	Qty
DC	1
ED	1
IE	1
ISO	1
PD	1
R&D	1
SD	1
QA	1
QC	1
QF	1

The information provided herein is from CONNPLY Electronic Co., Ltd. and is confidential. Any disclosure to a party other than the recipient is prohibited. The intellectual properties and its rights contained herein, including but not limited to, trademarks, patents, copyrights, trade secrets, and technical know-how, are owned exclusively by CONNPLY or its affiliates. Unauthorized use or reproduction of any part of this document, in any form or by any means, without the prior written permission of CONNPLY is strictly prohibited. CONNPLY may enforce its intellectual property rights at its own discretion, failures or delays to exercise such rights does not constitute a waiver of such rights.

REV.	DESCRIPTION	DRAWN	CHECKED	APPROVED
A	NEW RELEASE	JLZ 06/27/16'	HZW 06/27/16'	LJC 06/27/16'
B	DRAWING UPDATE	JLZ 04/08/22'		



PCB layout
Thickness=1.6mm
LED Voltage:2.6V



Notes:

- Electrical Characteristics:
 - Contact Resistance: 20mΩ Max.
 - Dielectric Withstanding Voltage: 500V AC(rms) For 1 Minute.
 - Insulation Resistance: 1000MΩ Min.
 - Current Rating:1.5A.
 - Voltage Rating:150V AC rms.
- Environment Characteristics:
 - Temperature: -40°C~+85°C.
- Materials:
 - Contact Material: Copper Alloy.
 - Contact Plating: Gold Flash Over Nickel.
 - Insulator Materials: PBT or PA66,UL94-V0.
 - Shell Material:Copper Alloy, Nickel Plated.
- Product Number Code:

DS1131-01 - X X X X X X X

- LED Type
 - 1:Left(Green) Right(Yellow)
 - 2:Left(Yellow) Right(Green)
-
- Shell Type
 - S:W/ Shrapnel
 - X:W/O Shrapnel
- Housing Materials
 - P:PBT
 - N:Nylon
- Housing Color
 - B:Black
- Contact Plating
 - 0:Gold Flash
 - 3:3u" Gold
- No.Of Contacts
 - 8:8p8c
- Connector Type
 - S:Socket



(Series Image-Reference Only)

GENERAL TOLERANCE		ANGLE TOLERANCE		PROJECTION		TITLE	PCB Jack 8 Positions 2*1 Port	
X.	±0.60	X.	±5°	UNITS	mm	W/ Shell & LED Type		
.X	±0.38	.X	±3°	SHEET SIZE	A4	SERIES	DS1131-01 SERIES	
.XX	±0.25	.XX	±2°			晨翔电子有限公司 CONNPLY ELECTRONIC CO., LTD		
DRAWING TYPE		CUSTOMER						
SCALE	1:1	SHEET	1 OF 1					
DRAWING NO.		C-DS1131-01-XXXX-B						