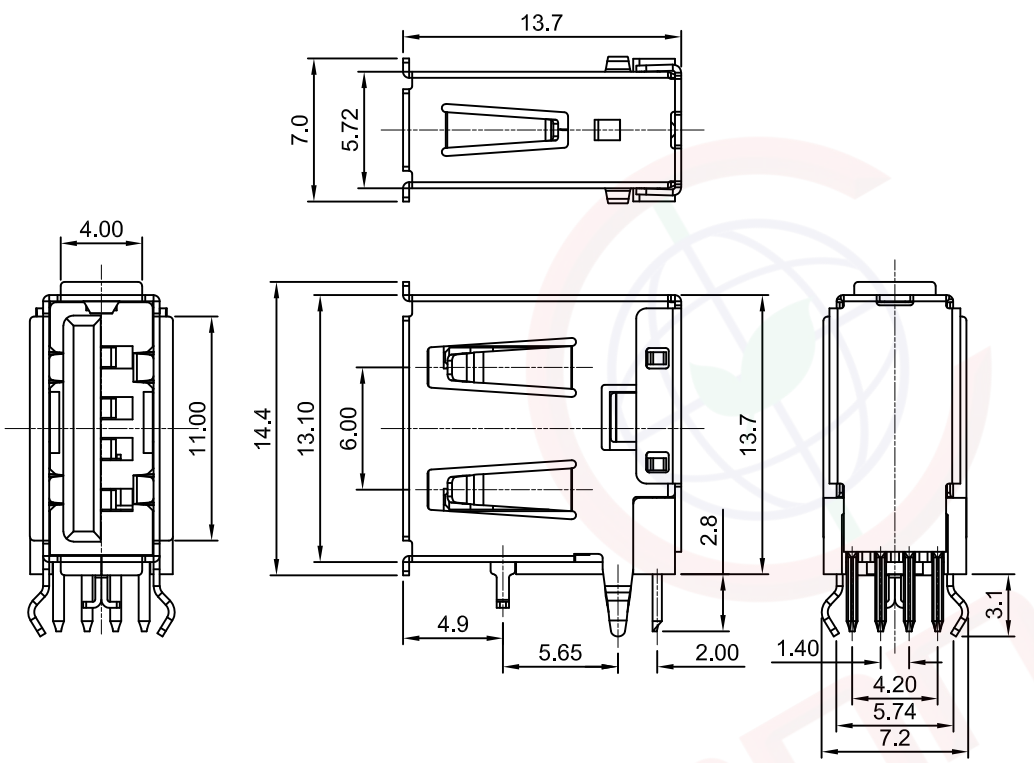


The information provided herein is from CONNELY Electronic Co., Ltd. and is confidential. Any disclosure to a party other than the recipient is prohibited. The intellectual properties and its rights contained herein, including but not limited to, trademarks, patents, copyrights, trade secrets, and technical know-how, are owned exclusively by CONNELY or its affiliates. Unauthorized use of this information in any format or manner. CONNELY may enforce its intellectual property rights at its own discretion; failures or delays to exercise such rights does not constitute a waiver of such rights.

1 2 3 4 5 6 7 8

REV.	DESCRIPTION	DRAWN	CHECKED	APPROVED
A	NEW RELEASE	YCH 08/09/08'		LJC 08/09/08'
B	DRAWING UPDATE	JLZ 04/14/17'		
C	DRAWING UPDATE	JLZ 02/11/22'		
D	DRAWING UPDATE	JLZ 03/08/25'		



(Series Image-Reference Only)

**Notes:**

**Specifications:**

- Contact Resistance: 30mΩ Max.
- Insulation Resistance: 1000MΩ Min.
- Dielectric Withstanding Voltage: 500V AC(rms) For 1 Minute.
- Current Rating: 1.5A Max
- Voltage Rating: 30V Max
- Temperature: -40°C~+85°C.

**Materials:**

- Contact Material: Copper Alloy.
- Shell Material: Copper Alloy.
- Insulator Material: Thermoplastic, Black or White.

**Mechanical Characteristics:**

- Mating Force: 3.57Kgf Maximum.
- Unmating Force: 1.02Kgf Minimum.
- Durability: 1500 Cycles

**Product Number Code:**

DS1095-07 - X X X X

- Contact plating  
0: Selective gold flash  
03: Selective gold 3u"  
30: Selective gold 30u"
- Mounting type  
R: R/A
- Shell plating  
N: Nickel
- Color of housing  
W: White  
B: Black

Recommend PCB layout  
(Tolerance: ±0.05)

GENERAL TOLERANCE		ANGLE TOLERANCE	
X.	±0.60	X.	±5°
.X	±0.38	.X	±3°
.XX	±0.25	.XX	±2°

DRAWING TYPE	CUSTOMER		
SCALE	1:1	SHEET	1 OF 1
DRAWING NO.	C-DS1095-07-XXXX-D		

PROJECTION		TITLE	USB A Female Upright Angle Type	
UNITS	mm	SHEET	A4	
SHEET SIZE	A4	SERIES	DS1095-07 SERIES	

**晨翔电子有限公司**  
**CONNFLY CONNELY ELECTRONIC CO. LTD**

1 2 3 4 5 6 7 8