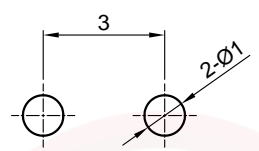
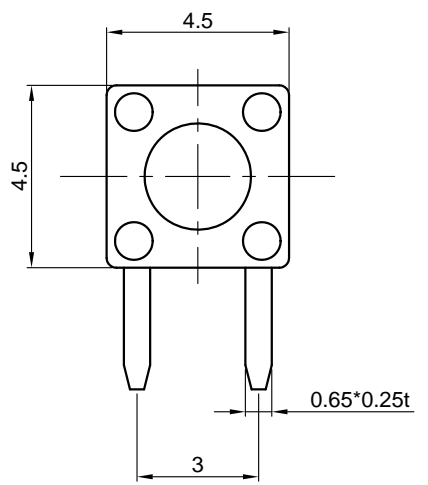
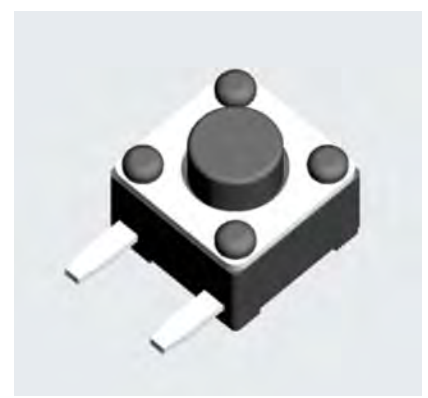
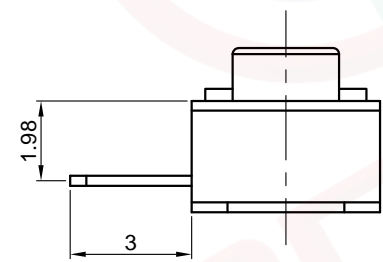
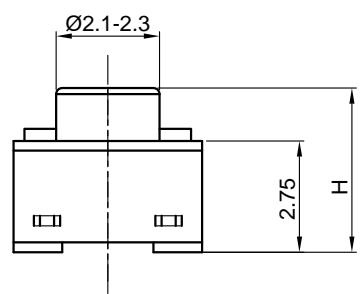
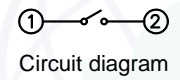


Dept	
Qty	
DC	1
ED	1
IE	1
ISO	1
PD	1
R&D	1
SD	1
QA	1
QC	1
QE	1

The information provided herein is from CONNELY Electronic Co., Ltd. and is confidential. Any disclosure to a party other than the recipient is prohibited. The intellectual properties and its rights contained herein, including but not limited to, trademarks, patents, copyrights, trade secrets, and technical know-how, are owned exclusively by CONNELY or its affiliates. Unauthorized use or modification is strictly prohibited. CONNELY may enforce its intellectual property rights at its own discretion, failure or delays to exercise such rights does not constitute a waiver of such rights.



PCB layout
Tolerance±0.05



(Series Image-Reference Only)

REV.	DESCRIPTION	DRAWN	CHECKED	APPROVED
A	NEW RELEASE	JLZ 05/11/22'		

NOTES:

1. Specifications

- Switch Function: Single Pole Single Throw
- Contact Rating: 50mA at 12Vdc
- Insulation Resistance:100MΩ min.
- Contact Resistance:100mΩ max.
- Operating Life:50,000 cycles
- Travel:0.15±0.1mm
- Operation Temperature Range: -25°C to +70°C
- Wave Soldering: Recommended Solder Temperature At 500°F(260°C)max. 5 Seconds,Subject To PCB 1.6mm Thickness.

2. Product number code:

DS1041-32 - X X X X X X X

- Operating Life
05:50,000 cycles
- Operating force
160: 160±50gf
260: 260±50gf
- Packing type
A: Polybag
R: Tape&reel
- Actuator color
B: Black
- Housing color
B: Black
- Profile Height(DIM. H)
038:3.8mm 040:4.0mm 043:4.3mm
045:4.5mm 050:5.0mm 060:6.0mm
070:7.0mm 080:8.0mm 090:9.0mm
095:9.5mm 100:10.0mm
- No. of contacts
2: 2P

GENERAL TOLERANCE	ANGLE TOLERANCE	PROJECTION		TITLE	4.5*4.5mm Tact Switch R/A Type		
X. ±0.60	X. ±5°	UNITS	mm	SERIES	DS1041-32 SERIES		
.X ±0.38	.X ±3°						
.XX ±0.25	.XX ±2°						
DRAWING TYPE	CUSTOMER		晨翔电子有限公司 CONNELY CONNELY ELECTRONIC CO., LTD				
SCALE	1:1	SHEET					1 OF 1
DRAWING NO.	C-DS1041-32-XXXXXX-A						