

The information provided herein is from CONNELY Electronic Co., Ltd. and is confidential. Any disclosure to a party other than the recipient is prohibited. The intellectual properties and its rights contained herein, including but not limited to, trademarks, patents, copyrights, trade secrets, and technical know-how, are owned exclusively by CONNELY or its affiliates. Unauthorized use of this information in any format or manner. CONNELY may enforce its intellectual property rights at its own discretion; failures or delays to exercise such rights does not constitute a waiver of such rights.

1 2 3 4 5 6 7 8

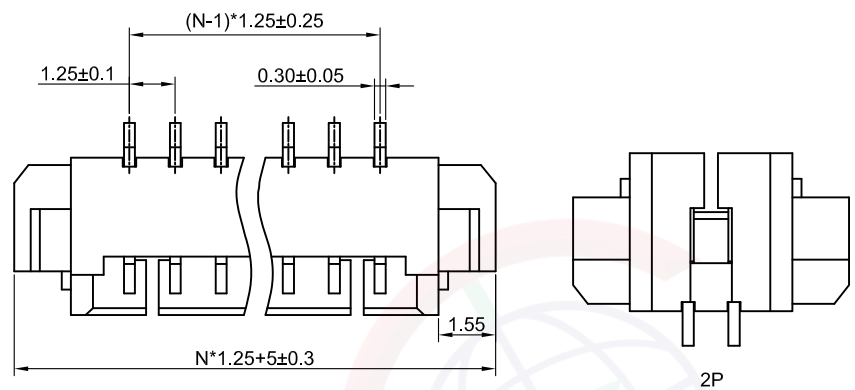
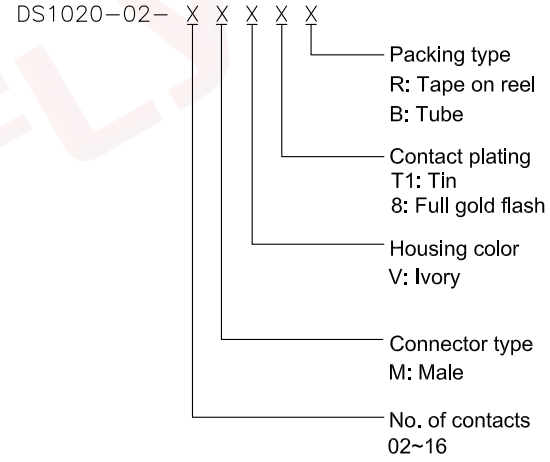
| REV. | DESCRIPTION | DRAWN | CHECKED | APPROVED |
|------|----------------|---------------|---------|---------------|
| A | NEW RELEASE | YCH 09/04/08' | | LJC 09/04/08' |
| B | DRAWING UPDATE | JLZ 07/27/16' | | |
| C | DRAWING UPDATE | JLZ 10/26/24' | | |
| D | DRAWING UPDATE | JLZ 05/07/25' | | |

Notes:

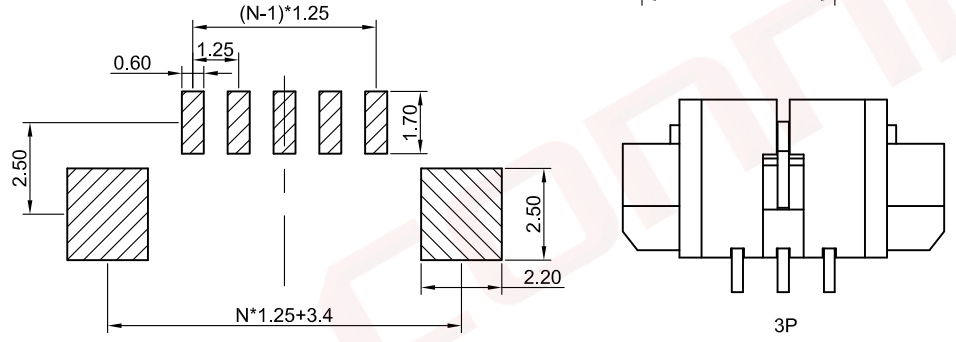
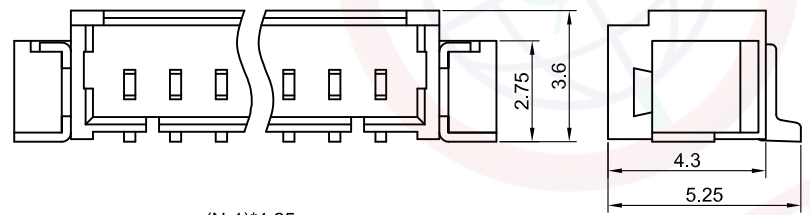
- Specifications:
- Contact Resistance: 20mΩ Max.
 - Insulation Resistance: 500MΩ Min.
 - Dielectric Withstanding Voltage: 250V AC(rms) For 1 Minute.
 - Current Rating:1A.
 - Voltage Rating:125V.
 - Temperature: -25°C~+85°C.

- Materials:
- Contact Material: Brass.
 - Contact Plating: Gold or Tin Plated.
 - Insulator Material: LCP,Ivory,UL94-V0.

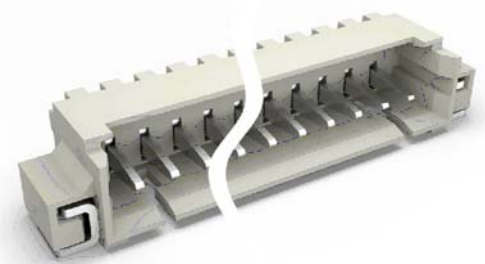
Product Number Code:



N=No. of contacts



Recommend PCB layout(Tolerance:±0.05)



(Series Image-Reference Only)

| | | | | | | | |
|-------------------|-------|---------------------|--------------|--|----|--------|------------------------|
| GENERAL TOLERANCE | | ANGLE TOLERANCE | | PROJECTION | | TITLE | 1.25mm Wafer Connector |
| X. | ±0.60 | X. | ±5° | UNITS | mm | | R/A SMT Type |
| .X | ±0.38 | .X | ±3° | SHEET SIZE | A4 | SERIES | DS1020-02 SERIES |
| .XX | ±0.25 | .XX | ±2° | 晨翔电子有限公司 CONNELY ELECTRONIC CO. LTD | | | |
| DRAWING TYPE | | CUSTOMER | | | | | |
| SCALE | | 1:1 | SHEET 1 OF 1 | | | | |
| DRAWING NO. | | C-DS1020-02-XXXXX-D | | | | | |

1 2 3 4 5 6 7 8